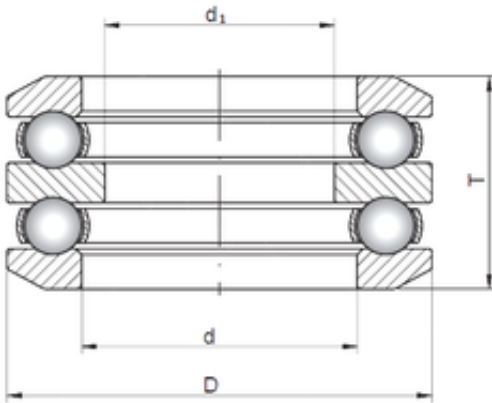




CSC BEARING GROUP limited

ISO 54244 Ball bearing



Bearing No. 54244

Size	224x300x115.2 mm
Bore Diameter	224 mm
Outer Diameter	300 mm
Width	115,2 mm
d	224 mm
d1	190 mm
D	300 mm
T	115,2 mm

54244 Bearing 2D drawings and 3D CAD models