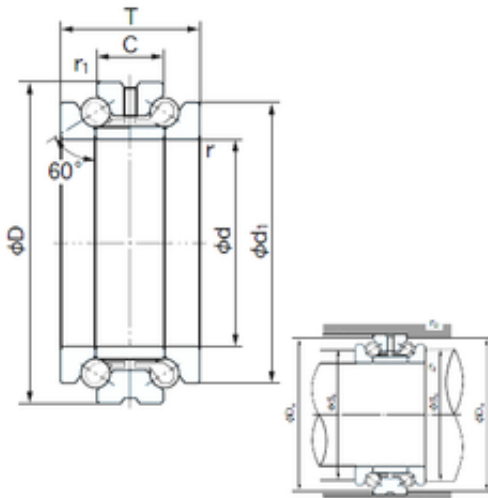




# CSC BEARING GROUP limited

## NACHI 25TAD20 Ball bearing

Bearing No. 25TAD20



25TAD20 Bearing 2D drawings and 3D CAD models

|                               |             |
|-------------------------------|-------------|
| Size                          | 25x47x28 mm |
| Bore Diameter                 | 25 mm       |
| Outer Diameter                | 47 mm       |
| Width                         | 28 mm       |
| d                             | 25 mm       |
| D                             | 47 mm       |
| T                             | 28 mm       |
| ra1 max.                      | 0.3 mm      |
| Angle ( ° )                   | 60 °        |
| d1                            | 40 mm       |
| r min.                        | 0.6 mm      |
| r1 min.                       | 0.3 mm      |
| C                             | 14 mm       |
| da min.                       | 33 mm       |
| Da max.                       | 43.5 mm     |
| ra max.                       | 0.6 mm      |
| Weight                        | 0.197 Kg    |
| Basic dynamic load rating (C) | 10,7 kN     |
| Basic static load rating (C0) | 19,9 kN     |
| (Grease) Lubrication Speed    | 8000 r/min  |