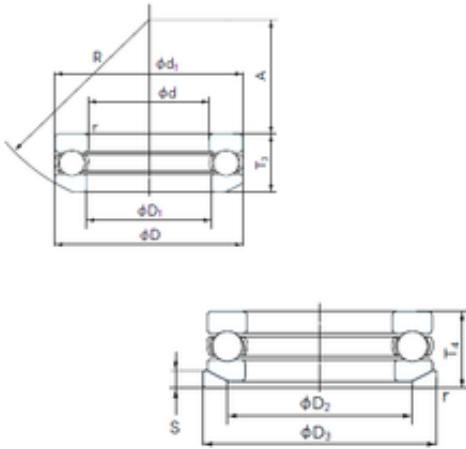




CSC BEARING GROUP limited

NACHI 53422U Ball bearing

Bearing No. 53422U



53422U Bearing 2D drawings and 3D CAD models

| | |
|-------------------------------|----------------|
| Size | 110x230x109 mm |
| Bore Diameter | 110 mm |
| Outer Diameter | 230 mm |
| Width | 109 mm |
| d | 110 mm |
| D | 230 mm |
| T | 109 mm |
| d1 | 225 mm |
| r min. | 3 mm |
| A | 59 mm |
| D1 | 113 mm |
| D2 | 170 mm |
| D3 | 240 mm |
| R | 180 mm |
| S | 29 mm |
| Weight | 22.9 Kg |
| Basic dynamic load rating (C) | 435 kN |
| Basic static load rating (C0) | 1240 kN |
| (Grease) Lubrication Speed | 640 r/min |