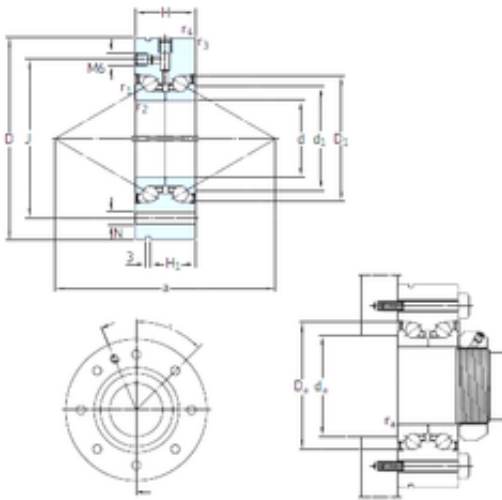




CSC BEARING GROUP limited

SNFA BEAM 60/145/Z 7P60 Ball bearing

Bearing No. BEAM 60/145/Z 7P60



BEAM 60/145/Z 7P60 Bearing 2D drawings and 3D CAD models

Size	60x145x45 mm
Bore Diameter	60 mm
Outer Diameter	145 mm
Width	45 mm
d	60 mm
D	145 mm
H	45 mm
a	168 mm
d1	85 mm
r1 min.	0,6 mm
r2 min.	0,6 mm
r3 min.	0,6 mm
r4 min.	0,6 mm
D1	100 mm
H1	35 mm
J	120 mm
N	8,8 mm
Thread (G)	M8
Bolt (G)	8x45 °
da max	82 mm
Da max.	100 mm
ra max.	0,6 mm
Weight	4,3 Kg
Basic dynamic load rating (C)	85,2 kN
Basic static load rating (C0)	216 kN
Fatigue load limit (Pu)	8



CSC BEARING GROUP limited