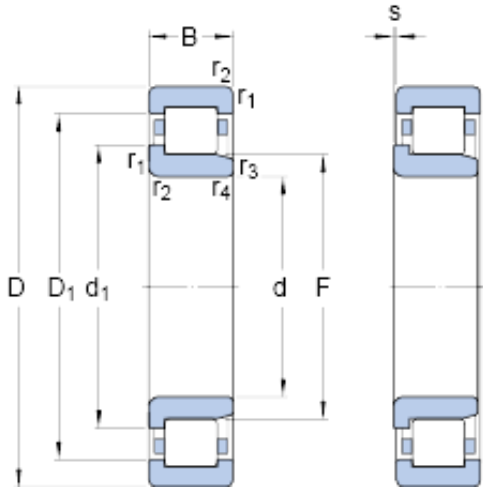




CSC BEARING GROUP limited



65 mm x 120 mm x 23 mm SKF NJ 213 ECM Ball bearing

Bearing No. NJ 213 ECM

Size	120x65x23 mm
Bore Diameter	120 mm
Outer Diameter	65 mm
Width	23 mm
d	65 mm
D	120 mm
B	23 mm
d ₁	84.4 mm
D ₁	103.2 mm
F	78.5 mm
r _{1,2} - min.	1.5 mm
r _{3,4} - min.	1.5 mm
s	1.4 mm
d _a - min.	74 mm
d _a - max.	76 mm
d _b - min.	87 mm
D _a - max.	110.6 mm
r _a - max.	1.5 mm
Basic dynamic load rating - C	122 kN
Basic static load rating - C ₀	118 kN
Fatigue load limit - P _u	15.6 kN
Reference speed	6300 r/min
Limiting speed	6700 r/min
Calculation factor - k _r	0.15

NJ 213 ECM Bearing 2D drawings and 3D CAD models



CSC BEARING GROUP limited

d_1	84.4 mm
D_1	103.2 mm
$r_{1,2}$ min.	1.5 mm
$r_{3,4}$ min.	1.5 mm
s max.	1.4 mm
d_a min.	74 mm
d_a max.	76 mm
d_b min.	87 mm
D_a max.	110.6 mm
r_a max.	1.5 mm
Basic dynamic load rating C	122 kN
Basic static load rating C_0	118 kN
Fatigue load limit P_u	15.6 kN
Calculation factor k_r	0.15
Limiting value e	0.2
Axial load factor Y	0.6
Mass bearing	1.2 kg
Angle ring	HJ 213 EC