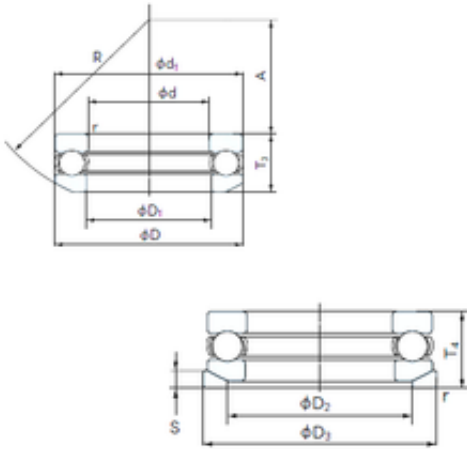




CSC BEARING GROUP limited

NACHI 53415U Ball bearing

Bearing No. 53415U



53415U Bearing 2D drawings and 3D CAD models

Size	75x160x75 mm
Bore Diameter	75 mm
Outer Diameter	160 mm
Width	75 mm
d	75 mm
D	160 mm
T	75 mm
d1	160 mm
r min.	2 mm
A	42 mm
D1	78 mm
D2	115 mm
D3	165 mm
R	125 mm
S	21 mm
Weight	7.60 Kg
Basic dynamic load rating (C)	252 kN
Basic static load rating (C0)	560 kN
(Grease) Lubrication Speed	950 r/min