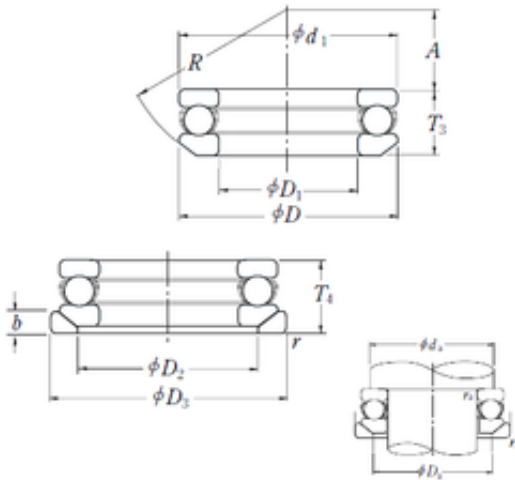




CSC BEARING GROUP limited

NSK 53322XU Ball bearing

Bearing No. 53322XU



53322XU Bearing 2D drawings and 3D CAD models

Size	110x190x72 mm
Bore Diameter	110 mm
Outer Diameter	190 mm
Width	72 mm
d	110 mm
D	190 mm
T	72 mm
b	20,5 mm
d1	187 mm
r min.	2 mm
A	51 mm
D1	113 mm
D2	150 mm
D3	195 mm
R	140 mm
da min.	158 mm
Da max.	142 mm
ra max.	2 mm
Weight	9,1 Kg
Basic dynamic load rating (C)	282 kN
Basic static load rating (C0)	755 kN
(Grease) Lubrication Speed	900 r/min
SRI	15.43
hidYobi	53322XU
LangID	1
D_	190



CSC BEARING GROUP limited

SREX	0.1
C	282
B_	72
hidTable	ecat_NSSDTB
Oil rpm	1300
SRE	15.43
mass	9.1
GRS rpm	900
ra	2
SRIX	0.1
T4	72
D_3	195
D_a	142
SRIN	0
C0	755
D_2	150
SREN	0
D_1	113
Prod_Type3	TB_SD_WASW
da	158
DA_	28.575
Z_	15
yobi	53322XU
A_	51
T3	67.2
SDM_	150
r	2
KBRG	5131
R_	140