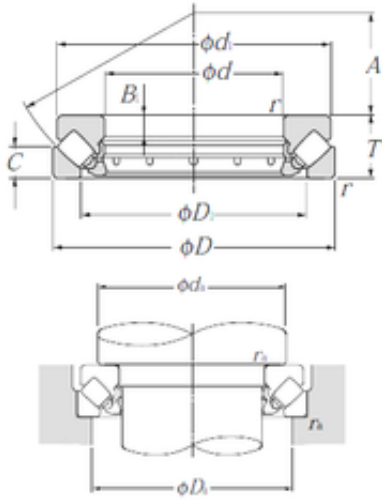




CSC BEARING GROUP limited



29332 Bearing 2D drawings and 3D CAD models

NTN 29332 Axial roller bearing

Bearing No. 29332

Size	160x270x67 mm
Bore Diameter	160 mm
Outer Diameter	270 mm
Width	67 mm
d	160 mm
D	270 mm
T	67 mm
B1	24 mm
C	32 mm
d1	260 mm
r min.	3 mm
A	92 mm
D1	208 mm
da min.	210 mm
Da max.	235 mm
ra max.	2,5 mm
Weight	15,9 Kg
Basic dynamic load rating (C)	820 kN
Basic static load rating (C0)	2 860 kN
Category	Roller Bearings
Inventory	0.0
Manufacturer Name	NTN
Minimum Buy Quantity	N/A
Weight / Kilogram	15.7
EAN	4547359290721
Product Group	B04311



CSC BEARING GROUP limited