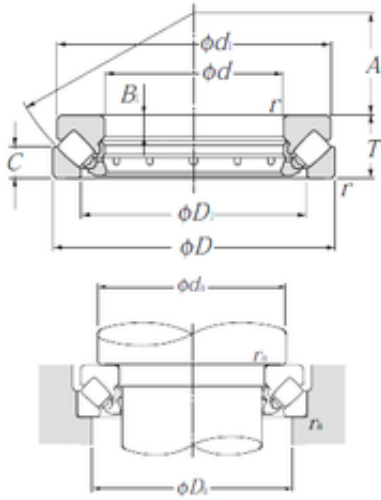




# CSC BEARING GROUP limited



29324 Bearing 2D drawings and 3D CAD models

## NTN 29324 Axial roller bearing

Bearing No. 29324

Size	120x210x54 mm
Bore Diameter	120 mm
Outer Diameter	210 mm
Width	54 mm
d	120 mm
D	210 mm
T	54 mm
B1	18 mm
C	26 mm
d1	200 mm
r min.	2,1 mm
A	70 mm
D1	159 mm
da min.	160 mm
Da max.	180 mm
ra max.	2 mm
Weight	7,92 Kg
Basic dynamic load rating (C)	535 kN
Basic static load rating (C0)	1 770 kN
Category	Roller Bearings
Inventory	0.0
Manufacturer Name	NTN
Minimum Buy Quantity	N/A
Weight / Kilogram	7.8
EAN	4547359290684
Product Group	B04311



## CSC BEARING GROUP limited

bore diameter:	120 mm
maximum rpm:	1600 rpm
outside diameter:	210 mm
separable type:	Separable Bearing
overall width:	54 mm
fillet radius:	2.1 mm
operating temperature range:	-40 to 120 ° C
series:	293
static load capacity:	1770000 N
cage type:	Machined - Two Piece
bearing material:	Through Hardened Steel
enclosure:	Open
cage material:	Brass
manufacturer product page:	<a href="#">Click here</a>
dynamic load capacity:	535000 N