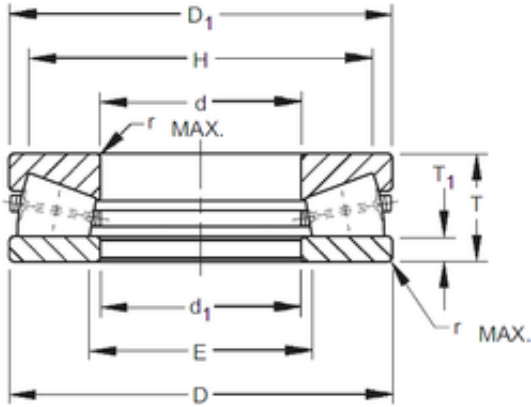




# CSC BEARING GROUP limited

## Timken F-3093-A Axial roller bearing

Bearing No. F-3093-A



F-3093-A Bearing 2D drawings and 3D CAD models

Size	558.8x1066.8x285.75 mm
Bore Diameter	558,8 mm
Outer Diameter	1066,8 mm
Width	285,75 mm
d	558,8 mm
D	1066,8 mm
T	285,75 mm
r max	10,2 mm
T1	57,15 mm
d1	561,98 mm
D1	1065,21 mm
E	639,8 mm
H	952,5 mm