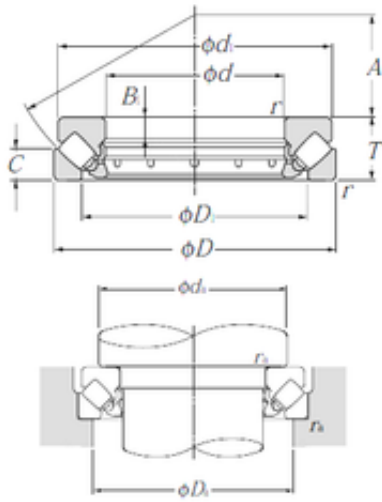




CSC BEARING GROUP limited



NTN 29484 Axial roller bearing

Bearing No. 29484

Size	420x730x185 mm
Bore Diameter	420 mm
Outer Diameter	730 mm
Width	185 mm
d	420 mm
D	730 mm
T	185 mm
B1	67 mm
C	89 mm
d1	700 mm
r min.	7,5 mm
A	244 mm
D1	556 mm
da min.	560 mm
Da max.	630 mm
ra max.	6 mm
Weight	333 Kg
Basic dynamic load rating (C)	5 500 kN
Basic static load rating (C0)	22 800 kN

29484 Bearing 2D drawings and 3D CAD models