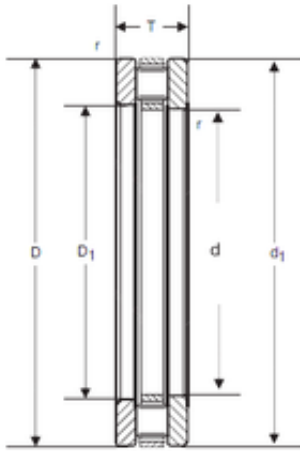




# CSC BEARING GROUP limited

## SIGMA 81136 Axial roller bearing

Bearing No. 81136



Size	180x225x34 mm
Bore Diameter	180 mm
Outer Diameter	225 mm
Width	34 mm
d	180 mm
D	225 mm
T	34 mm
d1	222 mm
D1	183 mm

81136 Bearing 2D drawings and 3D CAD models