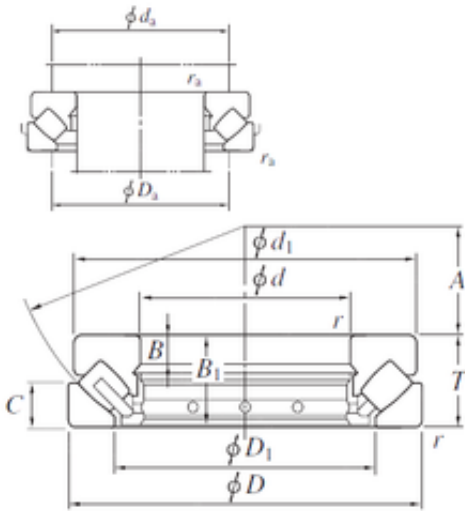




# CSC BEARING GROUP limited

## 600 mm x 1030 mm x 92 mm KOYO 294/600 Axial roller bearing

Bearing No. 294/600



294/600 Bearing 2D drawings and 3D CAD models

Size	600x1030x258 mm
Bore Diameter	600 mm
Outer Diameter	1030 mm
Width	258 mm
d	600 mm
D	1030 mm
T	258 mm
d1	990 mm
r min.	12 mm
A	347 mm
B	92 mm
B1	248 mm
C	127 mm
D1	785 mm
da min.	790 mm
Da max.	890 mm
ra max.	10 mm
Weight	905 Kg
Basic dynamic load rating (C)	11200 kN