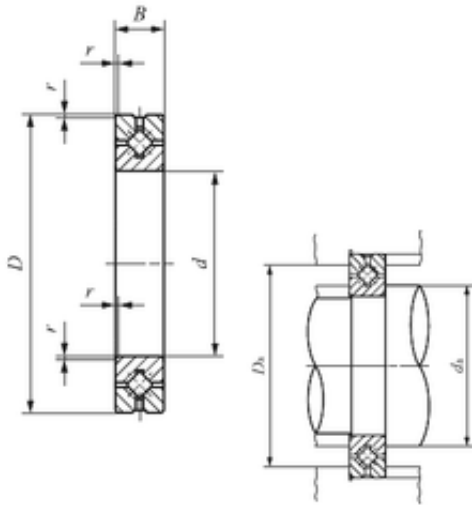




CSC BEARING GROUP limited

80 mm x 120 mm x 16 mm IKO CRBH 8016 A Axial roller bearing

Bearing No. CRBH 8016 A



CRBH 8016 A Bearing 2D drawings and 3D CAD models

Size	80x120x16 mm
Bore Diameter	80 mm
Outer Diameter	120 mm
Width	16 mm
d	80 mm
D	120 mm
B	16 mm
r min.	0,6 mm
Da	112 mm
da	88 mm
Weight	0,74 Kg
Basic dynamic load rating (C)	32,1 kN