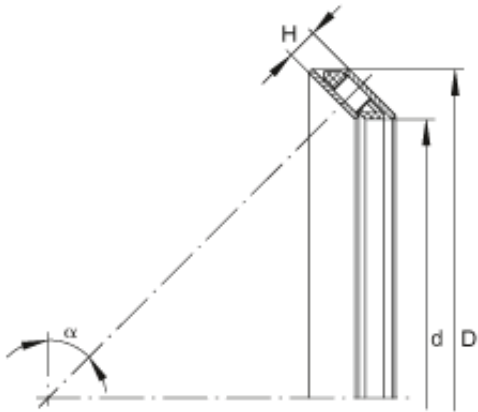




CSC BEARING GROUP limited



INA AXS175200 Axial roller bearing

Bearing No. AXS175200

Size	175x199x7.4 mm
Bore Diameter	175 mm
Outer Diameter	199 mm
Width	7,4 mm
d	175 mm
D	199 mm
H - 7,4 mm / Tolerance: +0,1 / -0,4	7,4 mm / Tolerance: +0,1 / 0,4
D _a - 175 mm / Tolerance: -0,15 / -0,25	175 mm / Tolerance: 0,15 / 0,25
d _a	199 mm / Tolerance: +0,25 / +0,15
	45 ° / Angle 60 °
m	300 g / Weight
C _a	84000 N / Dynamic load rating (axial)
C _{0a}	480000 N / Static load rating (axial)
C _r	34500 N / Dynamic load rating (radial)

AXS175200 Bearing 2D drawings and 3D CAD models