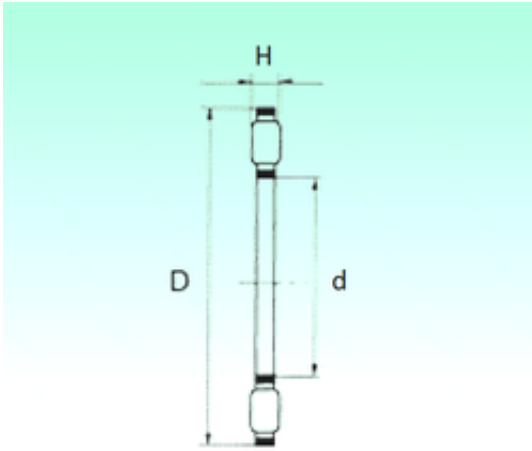




CSC BEARING GROUP limited



NBS K81215TN Axial roller bearing

Bearing No. K81215TN

Bore Diameter	75 mm
Outer Diameter	110 mm
d	75 mm
D	110 mm
Dw	11 mm
Weight	0,195 Kg
Basic dynamic load rating (C)	171,5 kN
Basic static load rating (C0)	498,7 kN

K81215TN Bearing 2D drawings and 3D CAD models