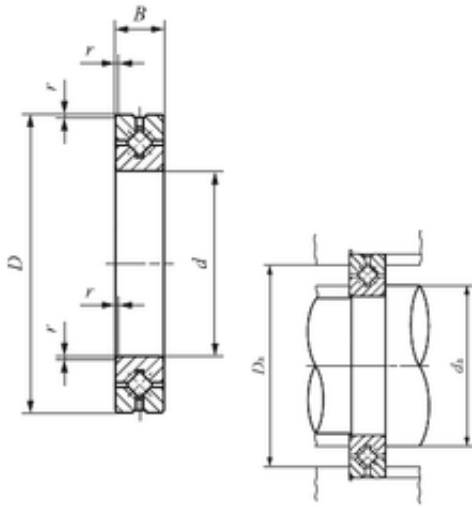




# CSC BEARING GROUP limited

## 70 mm x 100 mm x 13 mm IKO CRBH 7013 A Axial roller bearing

Bearing No. CRBH 7013 A



CRBH 7013 A Bearing 2D drawings and 3D CAD models

Size	70x100x13 mm
Bore Diameter	70 mm
Outer Diameter	100 mm
Width	13 mm
d	70 mm
D	100 mm
B	13 mm
r min.	0,6 mm
Da	94 mm
da	76 mm
Weight	0,38 Kg
Basic dynamic load rating (C)	20,1 kN