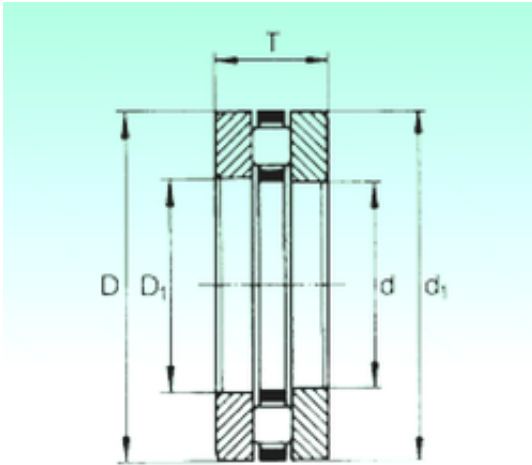




CSC BEARING GROUP limited



15 mm x 28 mm x 2,75 mm NBS 81102TN Axial roller bearing

Bearing No. 81102TN

Size	15x28x9 mm
Bore Diameter	15 mm
Outer Diameter	28 mm
Width	9 mm
d	15 mm
D	28 mm
T	9 mm
d1	28 mm
B	2,75 mm
D1	16 mm
Dw	3,5 mm
Weight	0,024 Kg
Weight	0,008 Kg
Basic dynamic load rating (C)	13,5 kN
Basic static load rating (C0)	28 kN

81102TN Bearing 2D drawings and 3D CAD models