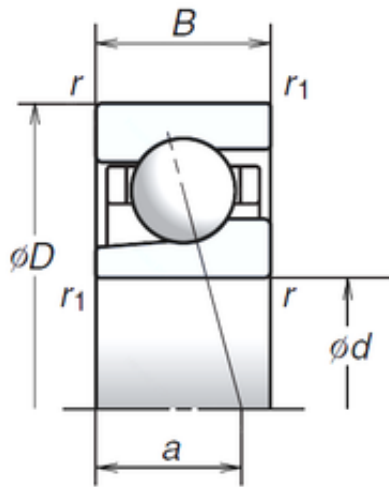




CSC BEARING GROUP limited



25 mm x 42 mm x 9 mm NSK 25BGR19H Angular contact ball bearing

Bearing No. 25BGR19H

Size	25x42x9 mm
Bore Diameter	25 mm
Outer Diameter	42 mm
Width	9 mm
d	25 mm
D	42 mm
B	9 mm
C	9 mm
Angle (°)	15 °
a	9 mm
r min.	0,3 mm
r1 min.	0,15 mm
Weight	0,039 Kg
Basic dynamic load rating (C)	5,4 kN
Basic static load rating (C0)	2,76 kN
(Grease) Lubrication Speed	56 800 r/min
(Oil) Lubrication Speed	83 600 r/min

25BGR19H Bearing 2D drawings and 3D CAD models