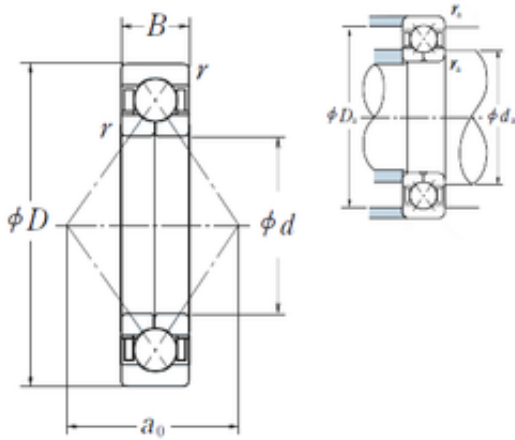




CSC BEARING GROUP limited

140 mm x 300 mm x 62 mm NSK QJ 328 Angular contact ball bearing

Bearing No. QJ 328



QJ 328 Bearing 2D drawings and 3D CAD models

Size	140x300x62 mm
Bore Diameter	140 mm
Outer Diameter	300 mm
Width	62 mm
d	140 mm
D	300 mm
B	62 mm
C	62 mm
Angle (°)	35 °
a	154 mm
r min.	4 mm
da min.	158 mm
da max	282 mm
ra max.	3 mm
Weight	24 Kg
Basic dynamic load rating (C)	440 kN
Basic static load rating (C0)	1110 kN
(Grease) Lubrication Speed	1 700 r/min