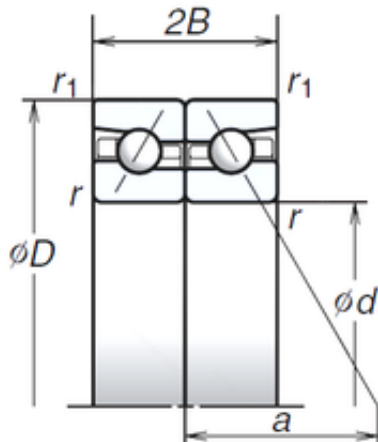




CSC BEARING GROUP limited

80 mm x 125 mm x 20,25 mm NSK 80BAR10S
Angular contact ball bearing



Bearing No. 80BAR10S

Size	80x125x20.25 mm
Bore Diameter	80 mm
Outer Diameter	125 mm
Width	20,25 mm
d	80 mm
D	125 mm
B	20,25 mm
C	20,25 mm
Angle (°)	30 °
a	39,4 mm
r min.	1,1 mm
r1 min.	0,6 mm
2B	40,5 mm
Weight	0,875 Kg
Basic dynamic load rating (C)	32 kN
Basic static load rating (C0)	68,5 kN
(Grease) Lubrication Speed	7 400 r/min
(Oil) Lubrication Speed	9 300 r/min

80BAR10S Bearing 2D drawings and 3D CAD models