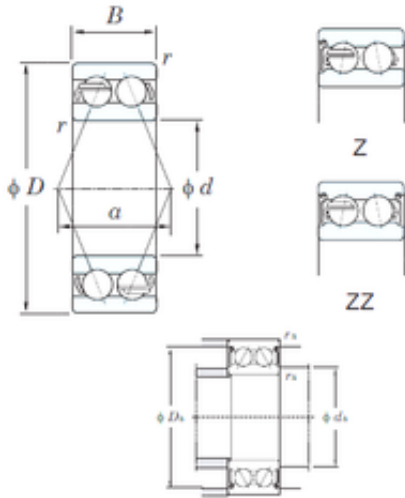




# CSC BEARING GROUP limited



65 mm x 120 mm x 38.1 mm KOYO 5213ZZ  
Angular contact ball bearing

Bearing No. 5213ZZ

Size	65x120x38.1 mm
Bore Diameter	65 mm
Outer Diameter	120 mm
Width	38.1 mm
d	65 mm
D	120 mm
B	38.1 mm
C	38.1 mm
a	58.8 mm
r min.	1.5 mm
da min.	73.5 mm
da max	79.0 mm
Da max.	111.5 mm
ra max.	1.5 mm
Weight	1.66 Kg
Basic dynamic load rating (C)	69.2 kN
Basic static load rating (C0)	63.1 kN

5213ZZ Bearing 2D drawings and 3D CAD models